

MACTON® Transportation Products

TRUCK ROTATOR

For Rail Maintenance Facilities



The Macton truck rotator allows a truck assembly to be turned on its central axis to facilitate maintenance, repair and inspection on areas of the truck that would be otherwise difficult to access. The truck rotator may also be mounted on a moveable platform to allow the rotator assembly to be moved to different areas of the shop with a truck mounted on the rotator. The Macton truck rotator may be used in a truck wash bay to ensure that the truck is washed thoroughly from all angles.



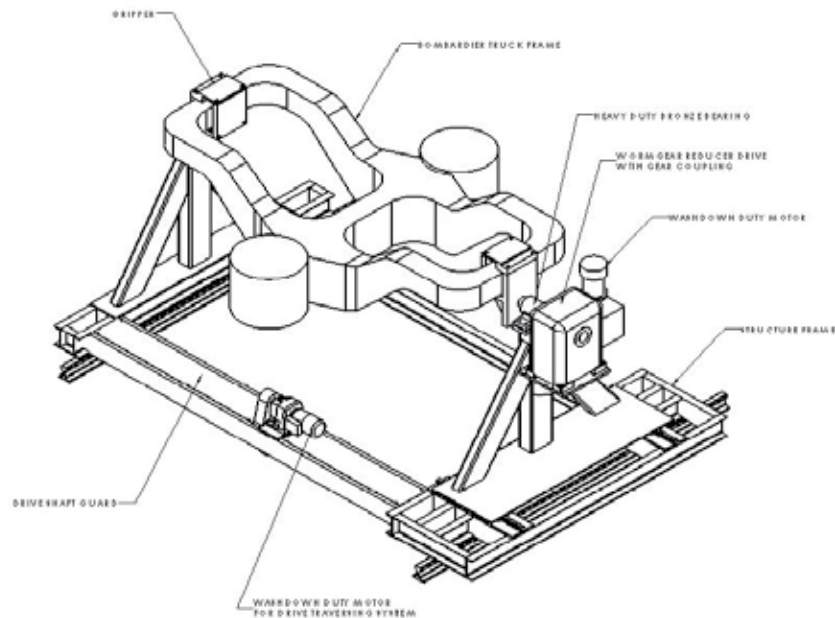
**STANDARD 5 YEAR WARRANTY
ON ALL MACTON PRODUCTS!**

TYPICAL SPECIFICATIONS

Truck Rotator

Typical design for a Truck Rotator mounted on a moveable platform for wash bay use includes:

- Structural frame
- Steel wheels with tapered roller bearings and locks for moving on rails
- Linear drive traversing system
- Two heavy duty bronze bearing spindles
- Worm gear reducer drive with gear coupling for rotation
- Wash down duty motor
- Controls for forward and reverse
- "Gripper" system to hold and rotate the truck frame



The above specifications apply to Macton's standard Truck Rotator. Macton combines over 30 years of Rail Shop Equipment experience with extensive in-house engineering capability to provide our customers with the option of custom-engineered systems to accommodate special applications or site requirements.

For more information on Truck Rotators and a complete list of Macton Rail Shop Equipment and Capabilities, please visit us on the web at macton.com or email Denise Louder at dlouder@macton.com.

**STANDARD 5 YEAR WARRANTY
ON ALL MACTON PRODUCTS!**



Moving the world around us™

The Macton Corporation
116 Willenbrock Road
Oxford, CT 06478

www.macton.com | 800-334-TURN

